

Hex Nuts

Steel / Stainless Steel, with spherical seating

SPECIFICATION

Type

- Type **B**: with one-sided spherical seating

Version in Steel

Steel

- Tensile strength class 10
- blackened

Version in Stainless Steel

Stainless Steel AISI 303 **NI**



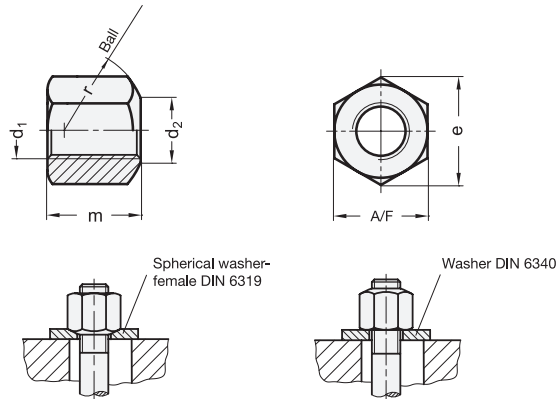
INFORMATION

Hexagon nuts DIN 6330 are used on clamping, applications which require frequent clamping and unclamping ($m = 1.5 \times d_1$).

The spherical seating together with female washers DIN 6319 (see page 962) allows excessive positional inaccuracies to be equalized.

TECHNICAL INFORMATION

- ISO-Fundamental Tolerances (see page A21)
- Stainless Steel characteristics (see page A26)
- Strength values of nuts (see page A20)



DIN 6330

Description	d1	d2 H14	e min.	m	A/F	r	Δ
DIN 6330-M8-B	M 8	9	14.4	12	13	11	9
DIN 6330-M10-B	M 10	11.5	17.8	15	16	15	20
DIN 6330-M12-B	M 12	14	20	18	18	17	28
DIN 6330-M14-B	M 14	16	24.6	21	22	20	45
DIN 6330-M16-B	M 16	18	26.8	24	24	22	53
DIN 6330-M20-B	M 20	22	33.5	30	30	27	110
DIN 6330-M24-B	M 24	26	40	36	36	32	195
DIN 6330-M30-B	M 30	32	51.3	45	46	41	401
DIN 6330-M36-B	M 36	38	61.3	54	55	50	715

DIN 6330-NI

STAINLESS STEEL

Description	d1	d2 H14	e min.	m	A/F	r	Δ
DIN 6330-M8-B-NI	M 8	9	14.4	12	13	11	9
DIN 6330-M10-B-NI	M 10	11.5	17.8	15	16	15	9
DIN 6330-M12-B-NI	M 12	14	20	18	18	17	29
DIN 6330-M14-B-NI	M 14	16	24.6	21	22	20	32
DIN 6330-M16-B-NI	M 16	18	26.8	24	24	22	57
DIN 6330-M20-B-NI	M 20	22	33.5	30	30	27	114